

PROUDLY DISTRIBUTED BY:

# MICHIANA BUILDING SUPPLIES

[www.PoleBarnsOnline.com](http://www.PoleBarnsOnline.com)

269 683 2723

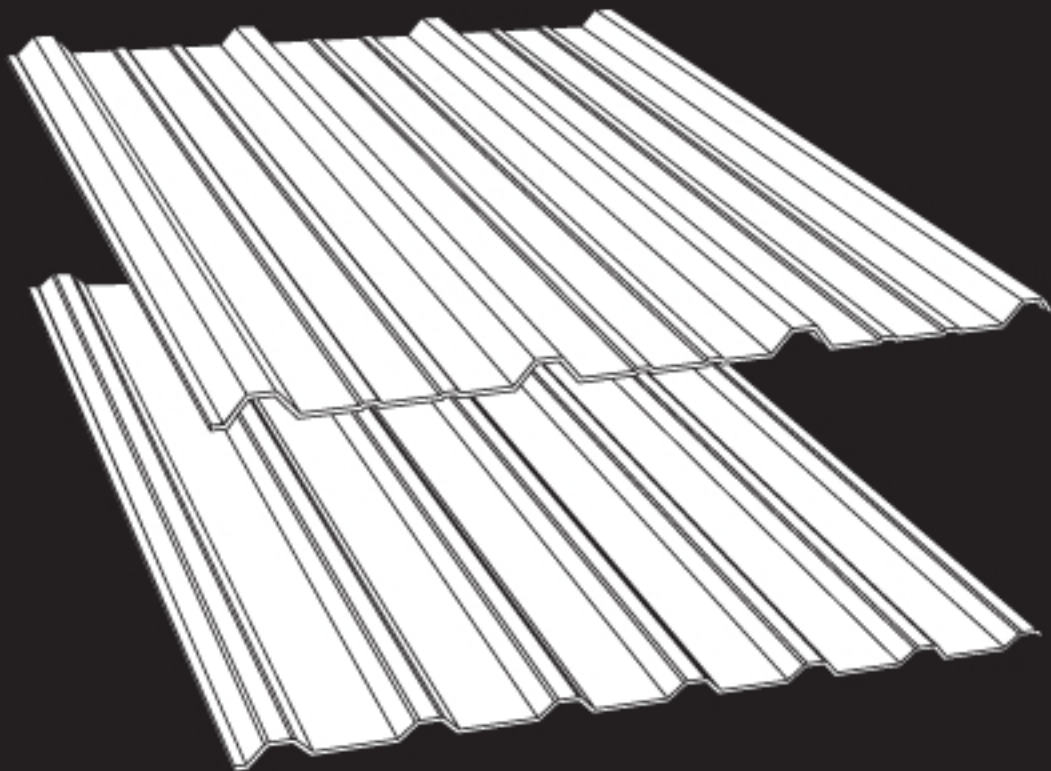


AMERICAN  
BUILDING  
COMPONENTS

## **“PBR” & “PBU” Panels**

---

**Technical/Product Information**



# TABLE OF CONTENTS

<b>A. "PBR" Panel</b>	
1. "PBR" Panel Architect/Engineer Information . . . . .	2
2. "PBR" Panel UL 90 Requirements . . . . .	3
3. "PBR" Panel Product Checklist . . . . .	4-5
4. "PBR" Panel Attachment . . . . .	6
5. "PBR" Panel UL 90 Light Transmitting Panel Installation . . . . .	7-8
<b>B. "PBU" Panel</b>	
1. "PBU" Panel Architect/Engineer Information . . . . .	9
2. "PBU" Panel UL 90 Requirements . . . . .	10
3. "PBU" Panel Product Checklist . . . . .	11-12
4. "PBU" Panel Attachment . . . . .	13
<b>C. Typical Details</b>	
1. Ridge . . . . .	14
2. High Side Eave . . . . .	15
3. Hip . . . . .	16
4. Valley . . . . .	17
5. Gutter . . . . .	18
6. Eave Trim . . . . .	19
7. Rake . . . . .	20
8. Parapet High Side Eave . . . . .	21
9. Parapet Rake . . . . .	22
10. Corner . . . . .	23
11. Corner Box . . . . .	24
12. Base . . . . .	25
13. Head Jamb . . . . .	26
<b>D. Installation Guidelines</b> . . . . .	27

© Copyright American Building Components 2004  
All Rights Reserved

For the most current information on our products and erection procedures, please check the ABC web site at  
[www.abcmetalroofing.com](http://www.abcmetalroofing.com)

Descriptions and specifications contained herein were in effect at the time this publication was approved for printing. In a continuing effort to refine and improve products, ABC reserves the right to discontinue products at any time or change specifications and/or designs without incurring obligation. **To insure you have the latest information available, please inquire or visit our Web Site at [www.abcmetalroofing.com](http://www.abcmetalroofing.com).** Application details are for illustration purposes only and may not be appropriate for all environmental conditions, building designs, or panel profiles. Projects should be engineered to conform to applicable building codes, regulations, and accepted industry practices. Insulation is not shown in these details for clarity. **If there is a conflict between this manual and the erection drawings, the erection drawings will take precedence.**

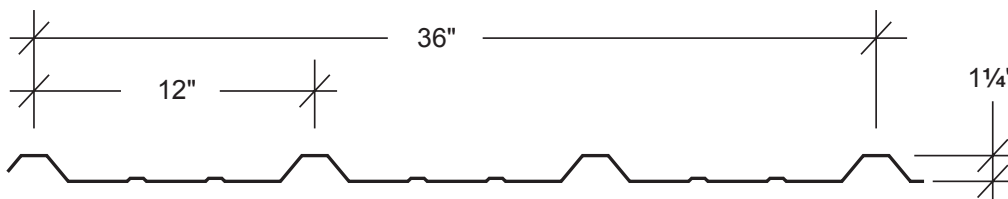
# PRODUCT INFORMATION

# "PBR" PANEL

## ARCHITECT/ENGINEER INFORMATION

1. "PBR" panel is a structural roof and wall panel. This panel can be installed directly over purlins or joists. Several different UL 90 construction numbers are available for this panel.
2. "PBR" panel is recommended for 1/2:12 or greater roof slopes.
3. Field applied sealant is required at panel sidelaps and endlaps.
4. "PBR" panel is a through-fastened panel. For proper fastener application, see page 6.
5. The information in this manual is believed to be correct and accurate. It should not be used for any specific application without being reviewed by a registered professional engineer.

## GENERAL DESCRIPTION



Coverage Width - 36"

Minimum Slope - 1/2:12

Panel Attachment - See page 6

Panel Substrate - Galvalume®

Gauge - 26 standard - 29, 24 and 22 also available

Coatings- Galvalume Plus®, Signature® 200\* and Signature® 300\*

## PRODUCT SELECTION CHART

GAUGE	GALVALUME PLUS®	SIGNATURE® 200*	SIGNATURE® 300*
22 gauge	●	■	■
24 gauge	●	■	■
26 gauge	●	●	●
29 gauge	●	●	■

● - Available in any quantity.

■ - Minimum quantity may be required.

\*See Commercial/Industrial color chart for available colors.

# "PBR" PANEL

# PRODUCT INFORMATION

## UL 90 REQUIREMENTS

### "PBR" PANEL

#### Construction #30

##### 26 MSG Min. Gauge "PBR" Panel Over Purlins at 5'- 0 1/4" O.C.

1. **For Class 90** - Panel to purlin connections to be #14 Hex Head with a 5/8" O.D. washer in a 4-8-4-8 in. pattern. Panel to panel connection to be 20" O.C. with faster located over each purlin.
2. **Purlins** - No. 14 MSG min. gauge steel, (55,000 psi min. yield strength.)

#### Construction #79

##### 26 MSG Min. Gauge "PBR" Panel Over Purlins at 5'- 0 1/4" O.C.

1. **Panel Fasteners** - Panel to purlin connections to be #14 Hex Head with a 5/8" O.D. washer, 6" O.C. in 5-7-5-7 in. pattern. Endlap spacing to be 6 in. O.C. Spacing for panel to panel connection to be 20" O.C.
2. **Purlins** - No. 16 MSG min. gauge steel. (55,000 psi min. yield strength); or min. H series open web steel joists.

#### Construction #161

##### 26 MSG Min. Gauge "PBR" Panel Over Purlins at 5'- 0 1/4" O.C.

1. **Panel Fasteners** - Panel to purlin connections to be 12-14 x 1" self-drilling Hex Head with a 5/8" O.D. washer, 12" O.C. Spacing at endlap to be in a 5-7-5-7 in. patterns. Spacing for panel to panel connection to be 20" O.C. with a fastener located over each purlin.
2. **Purlins** - No. 16 MSG min. gauge steel. (55,000 psi min. yield strength).

#### Construction #542

##### 26 MSG Min. Gauge "PBR" Panel Over Purlins at 5'- 0 3/16" O.C.

1. **Panel Fasteners** - Panel to purlin connections to be 12-14x1" self-drilling Hex Head with a 5/8" O.D. washer, 12" O.C. Spacing at endlap to be in a 5-7-5-7 in. pattern. Spacing for panel to panel connection to be 20" O.C. with a fastener located over each purlin.
2. **Building Units** - Translucent Panels.
3. **Translucent Panel Rib and Purlin Reinforcement** - See UL 90 light transmitting panel installation instructions.
4. **Purlins** - No. 16 MSG min. gauge steel. (55,000 psi min. yield strength).

## IMPACT RESISTANCE

"PBR" panels carry a Class 4 rating under UL-2218 "Test Standard For Impact Resistance"

## FIRE RESISTANCE RATING

1. **Deck: NC**  
**Class A**  
Incline: Unlimited  
The panel qualifies for a Class A Fire Rating in compliance with Underwriters laboratories Standard UL-263 when installed over a non-combustible substrate. A Class C Fire Rating will be qualified for over combustible substrate.

Look for classification marking on product.

## CAUTION

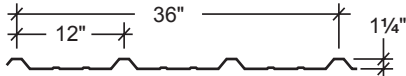
The above listings are summaries of Construction Numbers. For UL 90 rated roof requirements and complete design information, see the Underwriters Laboratories Building Materials Directory. If you have any questions, call ABC before proceeding.

# PRODUCT INFORMATION

# "PBR" PANEL

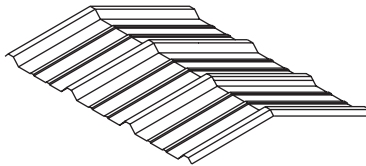
## PRODUCT CHECKLIST

"PBR" Panel



"PBR" Panel

Ridge Cap

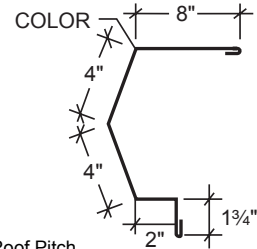


Maximum Roof Pitch 6:12  
Specify Pitch

FL-49 2'-6"

FL-51 3'-0"

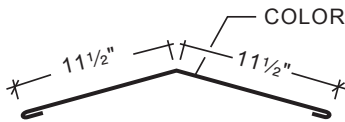
Sculptured High Side Eave



Specify Roof Pitch  
High Eave part at corner to be mitered  
Specify Left or Right

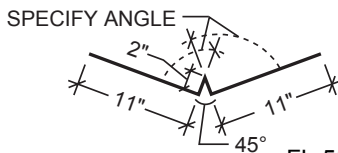
FL-17

Flat Ridge/Hip Flashing



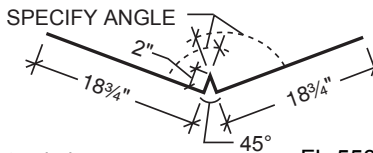
FL-38

Valley Flashing



Standard

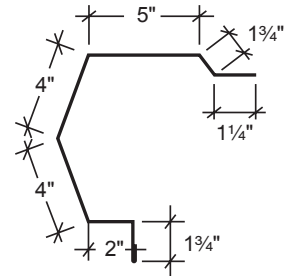
FL-556



Extended

FL-558

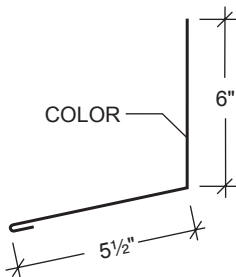
Sculptured Rake



Rake part at corner to be mitered.  
Specify Left or Right

FL-16

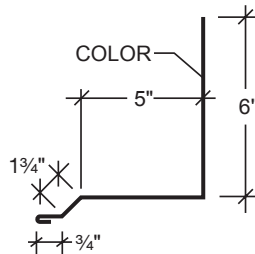
Parapet High Eave



FL-874

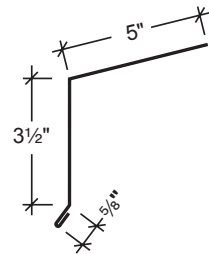
Specify Roof Slope

Parapet Rake



FL-952

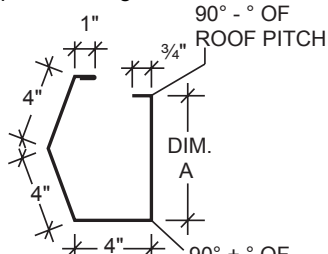
Eave Trim



Specify Roof Pitch

FL-19

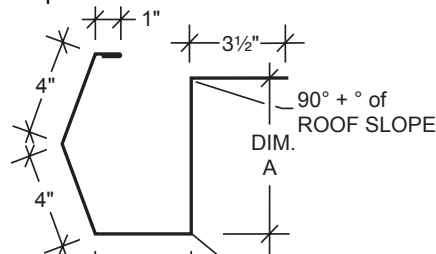
Sculptured Hang-On Gutter



Specify Roof Slope  
Gutter part at corner to be mitered.  
Specify Left or Right.

FL-180

Sculptured Eave Gutter



Specify Roof Slope  
Gutter part at corner to be mitered.  
Specify Left or Right.

FL-18

Gutter Strap



FL-893

Gutter End



Specify Left or Right  
Specify Gutter part no.

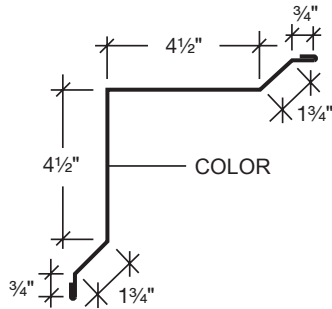
FL-18A

# "PBR" PANEL

# PRODUCT INFORMATION

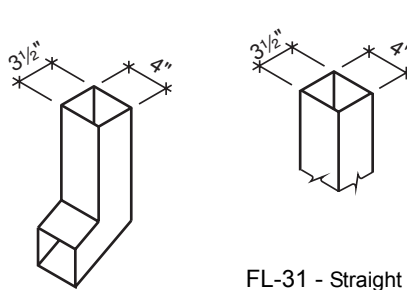
## PRODUCT CHECKLIST

### Inside Corner Trim



FL-800

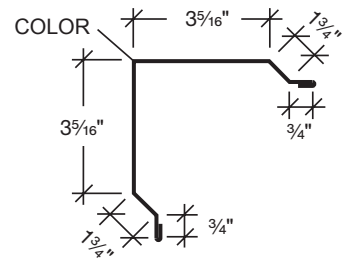
### Downspouts



FL-31A - With Kick-Out

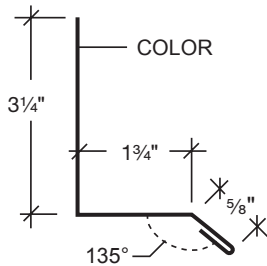
FL-31 - Straight

### Corner Trim - Outside



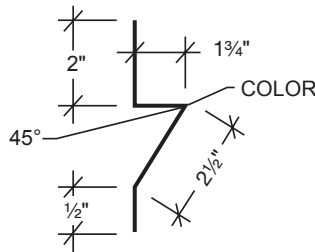
FL-830

### Base Trim (With Sheeting Notch)



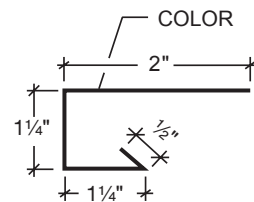
FL-72

### Base Trim (Without Sheeting Notch)




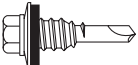

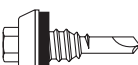
FL-530

### Jamb Trim

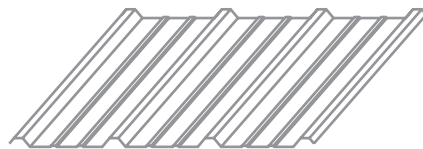


FL-23

### Fasteners

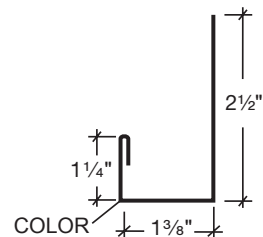
- #17A  12-14 X 1 1/4" Driller
- #4A  1/4"-14 X 7/8" Lap Tek
- #3  12-14 X 1 1/4" Long Life Driller
- #4  1/4"-14 X 7/8" Long Life Lap Tek

### LTP



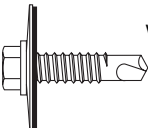
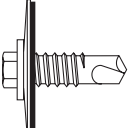

Non-Reinforced Fiberglass  
High Strength Fiberglass

### Head Trim

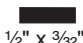


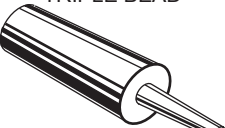



FL-24

### Fasteners





- #43  1/4"-14 X 1 1/4" Driller with 1 1/8" O.D. washer
- #44  1/4"-14 X 7/8" Lap Tek with 1 1/8" O.D. washer
- #14  1/8 X 3/16" Stainless Steel Pop Rivet

### Sealant

-  1/2" x 3/32" HW-507
-  TRI-BEAD Tri-Bead HW-504
-  TRIPLE BEAD Triple Bead HW-502
-  Urethane White HW-540
-  TUBE SEALANT 11 OZ. Other Colors Available

NOTE: 25' Per tube at 1/4" bead

### Closures

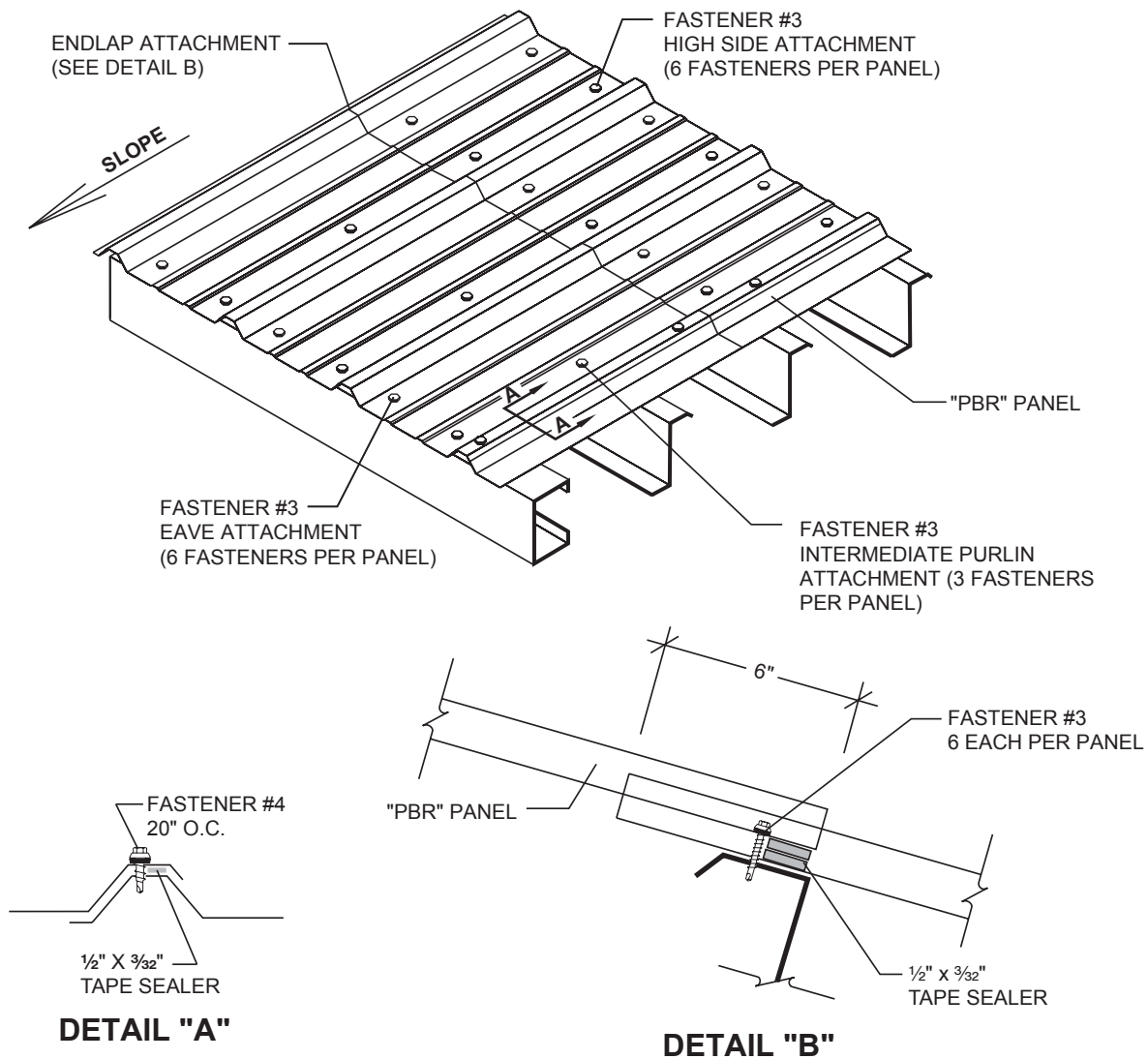
-  Inside HW-455
-  Outside HW-456
-  Beveled Inside\* HW-456
-  Beveled Outside\*

\*Special order - requires two-week lead time

# PRODUCT INFORMATION

# "PBR" PANEL

## ATTACHMENT "PBR" PANEL



**NOTES:**

**Sidelap**

1. 1/2" X 3/32" tape sealer must be installed between weather infiltration point and fastener.
2. Install Fastener #4 (1/4"-14 X 7/8" Long Life Lap Tek) at 20" on center.
3. When possible, install panels such that sidelaps are nested away from prevailing winds.
4. Fastener #4A (1/4"-14 X 7/8" Lap Tek) are available as an alternate when long life fasteners are not desired.

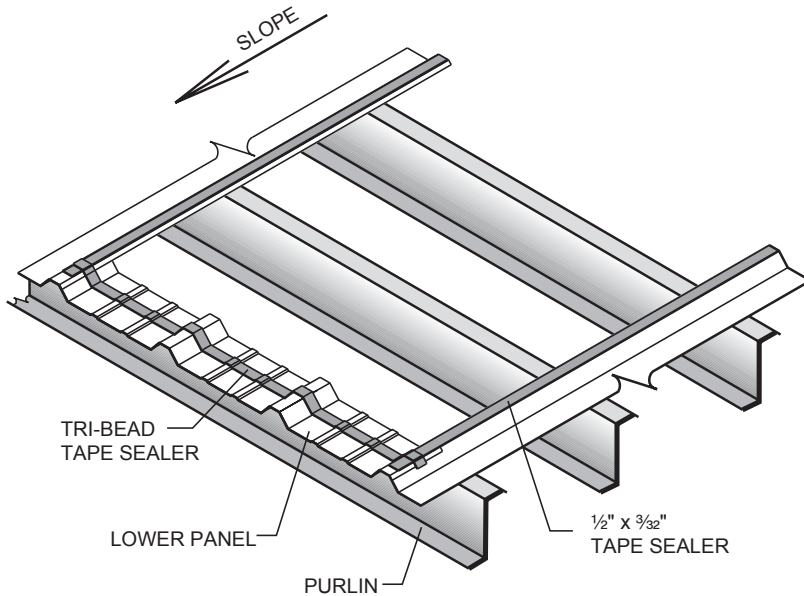
**Endlap**

1. Stack 2 continuous layers of 1/2" x 3/32" tape sealer on top of each other and must be installed between weather infiltration point and fastener.
2. Install Fastener #3 (12-14 X 1 1/4" Long Life driller) on each side of major ribs of panel (two fasteners per foot).
3. Fastener #17A (12-14 X 1 1/4" driller) are available as an alternate when long life fasteners are not desired.

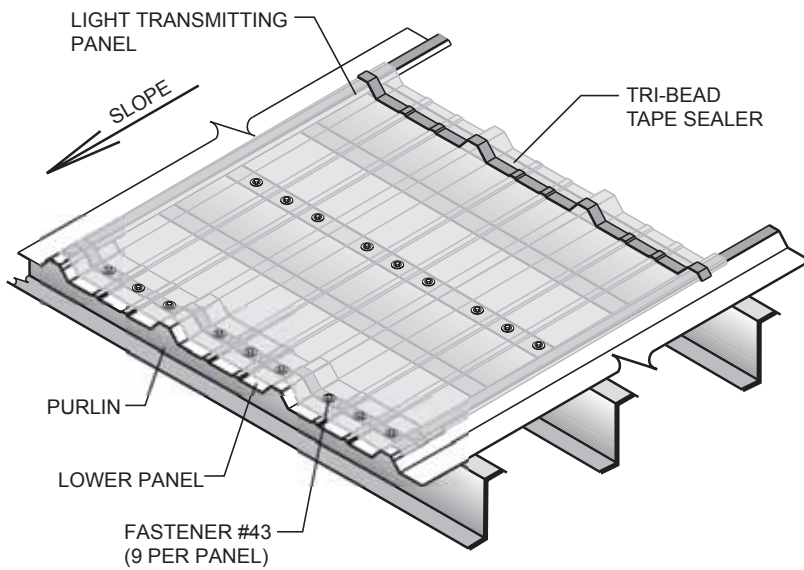
**“PBR” PANEL**

**PRODUCT INFORMATION**

**CONSTRUCTION NO. 542  
UL 90 LIGHT TRANSMITTING PANEL  
INSTALLATION**



Install roof panels, leaving the light transmitting panel run open, except for lower light transmitting panel run panel. Install tape sealer to panel sidelaps and across panel width as normal.



Attach light transmitting panels at the low and mid-slope connection to the purlin with nine Fastener #43 (1/4 - 14 x 1 1/4" driller with 1 1/8" O.D. washer).

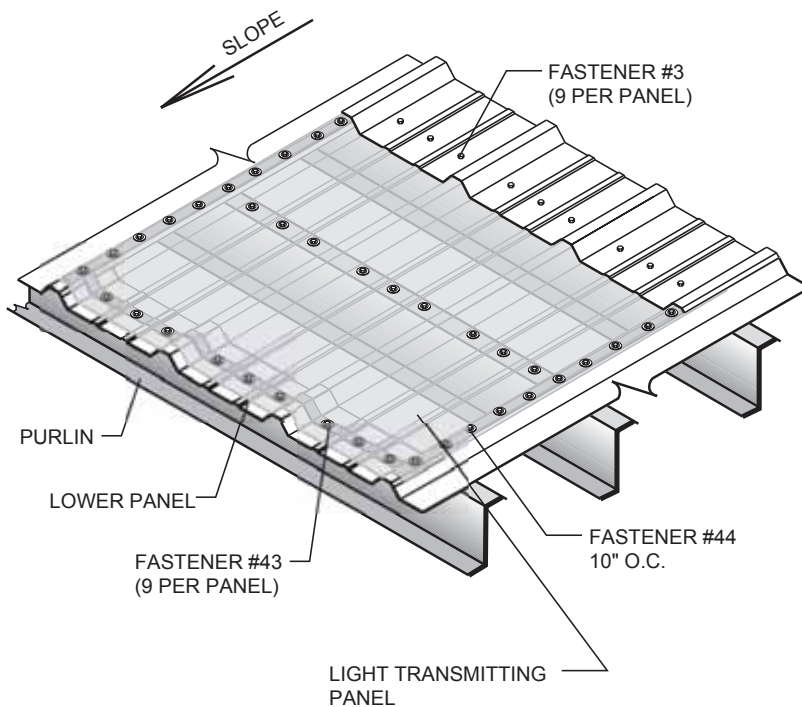


# PRODUCT INFORMATION

## "PBR" PANEL

### CONSTRUCTION NO. 542 UL 90 LIGHT TRANSMITTING PANEL INSTALLATION (Continued)

Be sure the light transmitting panel sidelaps have complete run of (1/2" x 3/32") tape sealer between the light transmitting panel and the "PBR" panel. See Page 6 for lap detail.



Fasten light transmitting panel with Fastener #44 (1/4" - 14 x 7/8" Lap Tek with 1/8" O.D. washer) at 10" O.C. down each side lap.

Install upper metal panel in light transmitting panel run and fasten as at a normal endlap with nine Fastener #3 (12 - 14 X 1 1/4" Long Life drill).

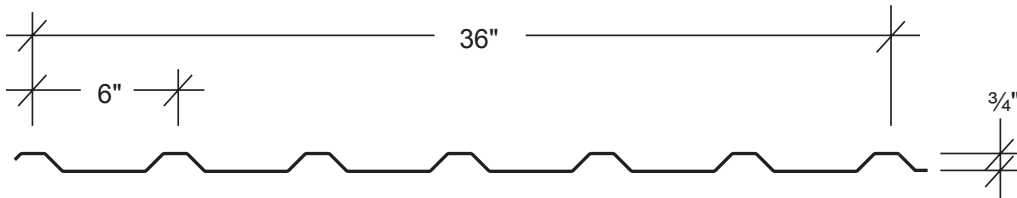
# "PBU" PANEL

# PRODUCT INFORMATION

## ARCHITECT/ENGINEER INFORMATION

1. "PBU" panel is a structural roof and wall panel. This panel can be installed directly over purlins or joists. "PBU" panel is UL 90 rated per construction number 39.
2. "PBU" panel is recommended for 1:12 or greater roof slopes.
3. Field applied sealant is required at panel sidelaps and endlaps.
4. "PBU" panel is a through-fastened panel. For proper fastener application, see page 13.
5. The information in this manual is believed to be correct and accurate. It should not be used for any specific application without being reviewed by a registered professional engineer.

## GENERAL DESCRIPTION



Coverage Width - 36"

Minimum Slope - 1:12

Panel Attachment - See page 13

Panel Substrate - Galvalume®

Gauge - 26 standard - 29, 24 and 22 also available

Coatings - Galvalume Plus®, Signature® 200\* and Signature® 300\*

## PRODUCT SELECTION CHART

GAUGE	GALVALUME PLUS®	SIGNATURE® 200*	SIGNATURE® 300*
22 gauge	●	■	■
24 gauge	●	■	■
26 gauge	●	●	●
29 gauge	●	●	■

● - Available in any quantity.

■ - Minimum quantity may be required.

\*See Commercial/Industrial color chart for available colors.

# PRODUCT INFORMATION

# "PBU" PANEL

## UL 90 REQUIREMENTS

### "PBU" PANEL

#### Construction #39

#### 26 MSG Min. Gauge "PBU" Panel over Purlins at 5'- 0 ¼" O.C.

1. **Panel Fasteners** - Panel to purlin connections to be #14 self-drilling, Hex Head with a 5/8" O.D. washer, 6" O.C. Spacing at endlaps to be 6" O.C. Spacing for panel to panel connections to be 12" O.C.
2. **Purlins** - No. 16 MSG min gauge steel. (55,000 psi min. yield strength)

#### IMPACT RESISTANCE

"PBU" panels carry a Class 4 rating under UL-2218 "Test Standard For Impact Resistance"

#### FIRE RESISTANCE RATING

1. **Deck: NC**

**Class A**

Incline: Unlimited

The panel qualifies for a Class A Fire Rating in compliance with Underwriters Laboratories Standard UL-263 when installed over a non-combustible substrate. A Class C Fire Rating will be qualified for over a combustible substrate.

**Look for classification marking on product.**

## CAUTION

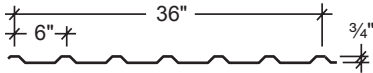
The above listings are summaries of Construction Numbers. For UL 90 rated roof requirements and complete design information, see the Underwriters Laboratories Building Materials Directory. If you have any questions, call ABC before proceeding.

# "PBU" PANEL

# PRODUCT INFORMATION

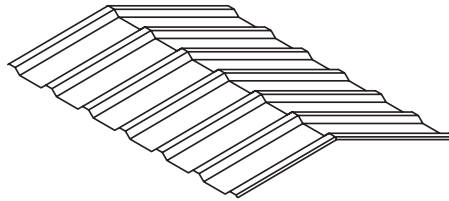
## PRODUCT CHECKLIST

"PBU" Panel



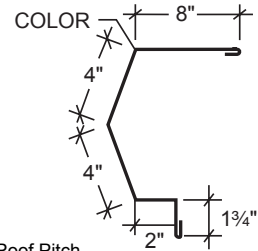
"PBU" Panel

Ridge Cap



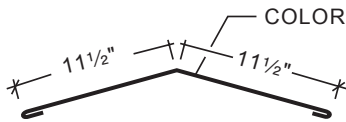
Maximum Roof Pitch 6:12 FL - 50 2'-6"  
Specify Pitch FL - 52 3'-0"

Sculptured High Side Eave



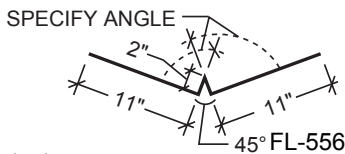
Specify Roof Pitch  
High Eave part at corner to be mitered  
Specify Left or Right FL-17

Flat Ridge/Hip Flashing



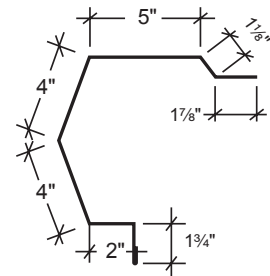
Specify Roof Slope FL-38

Valley Flashing



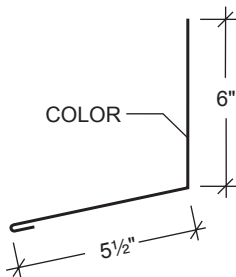
Standard  
Specify Angle 45° FL-556  
Extended  
Specify Angle 45° FL-558

Sculptured Rake



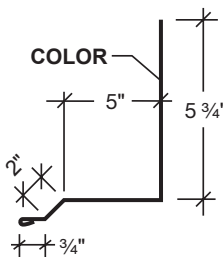
Rake part at corner to be mitered.  
Specify Left or Right FL-15

Parapet High Side Eave



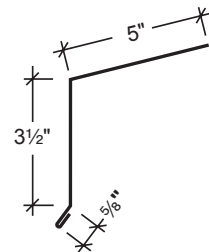
Specify Roof Slope FL-874

Parapet Rake



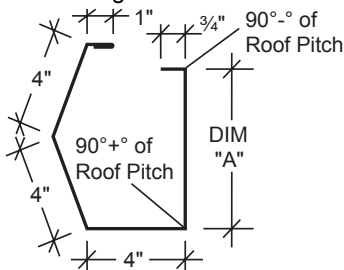
FL-954

Eave Trim



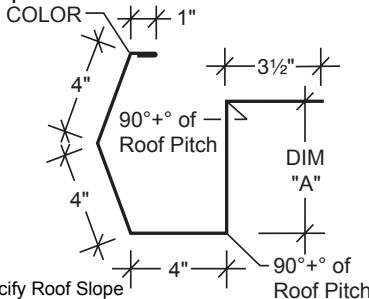
Specify Roof Slope FL-19

Sculptured Hang-On Gutter



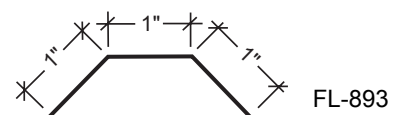
Specify Roof Slope  
Gutter part at corner to be mitered.  
Specify Left or Right. FL-C

Sculptured Eave Gutter



Specify Roof Slope  
Gutter part at corner to be mitered.  
Specify Left or Right. FL-512

Gutter Strap



Gutter End



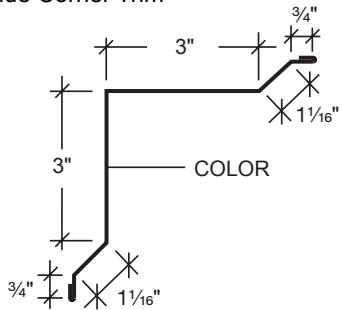
Specify Left or Right  
Specify Gutter Part No. FL-18A

# PRODUCT INFORMATION

# "PBU" PANEL

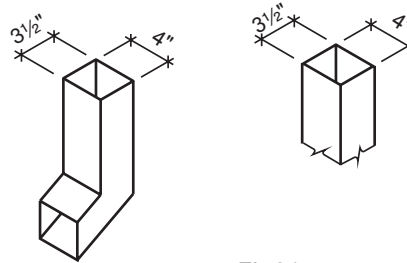
## PRODUCT CHECKLIST

### Inside Corner Trim



FL-810

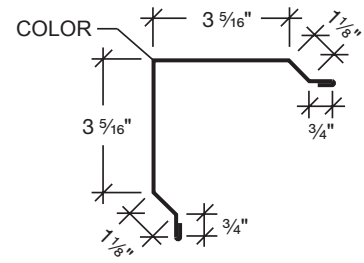
### Downspouts



FL-31 - Straight

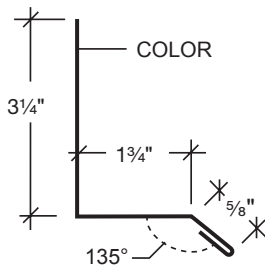
FL-31A - With Kick-Out

### Corner Trim - Outside



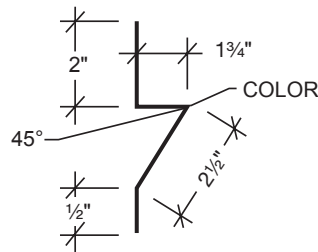
FL-840

### Base Trim (With Sheeting Notch)



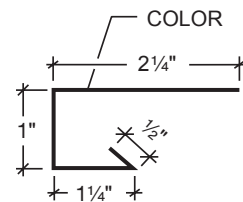
FL-72

### Base Trim (Without Sheeting Notch)



FL-530

### Jamb Trim

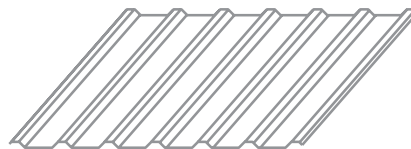


FL-21

### Fasteners

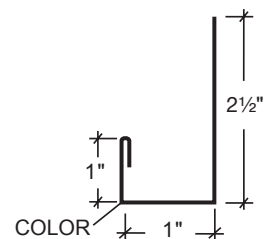
- #17A 12-14 X 1 1/4" Driller
- #4A 1/4"-14 X 7/8" Lap Tek
- #3 12-14 X 1 1/4" Long Life Driller
- #4 1/4"-14 X 7/8" Long Life Lap Tek

### LTP



Non-Reinforced Fiberglass  
High Strength Fiberglass

### Head Trim



FL-514A

### Fasteners

- #43 1/4"-14 X 1 1/4" Driller with 1 1/8" O.D. washer
- #44 1/4"-14 X 7/8" Lap Tek with 1 1/8" O.D. washer
- #14 1/8 X 3/16 Stainless Steel Pop Rivet

### Sealant

- 1/2" x 3/32" HW-507
- TRI-BEAD HW-504
- TRIPLE BEAD Triple Bead HW-502
- TUBE SEALANT 11 OZ. Urethane White HW-540

NOTE: 25' Per tube at 1/4" bead

### Closures

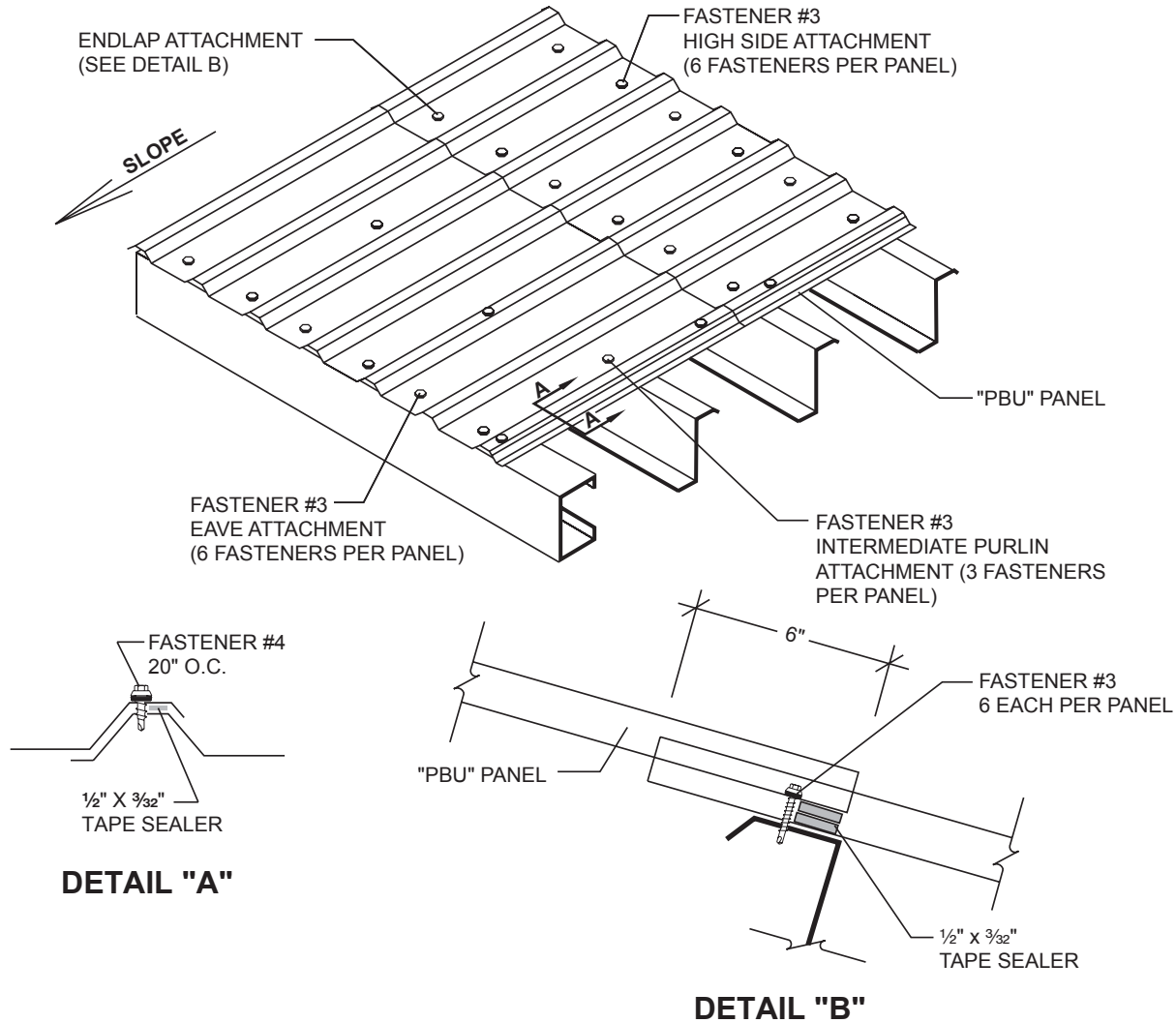
- Inside HW-459
- Outside HW-460
- Beveled Inside\*
- Beveled Outside\*

\*Special order - requires two-week lead time

# "PBU" PANEL

# PRODUCT INFORMATION

## ATTACHMENT "PBU" PANEL



**NOTES:**

**Sidelap**

1. 1/2" X 3/32" tape sealer must be installed between weather infiltration point and fastener.
2. Install Fastener #4 (1/4"-14 X 7/8" Long Life Lap Tek) at 20" on center.
3. When possible, install panels such that sidelaps are nested away from prevailing winds.
4. Fastener #4A (1/4"-14 X 7/8" Lap Tek) are available as an alternate when long life fasteners are not desired.

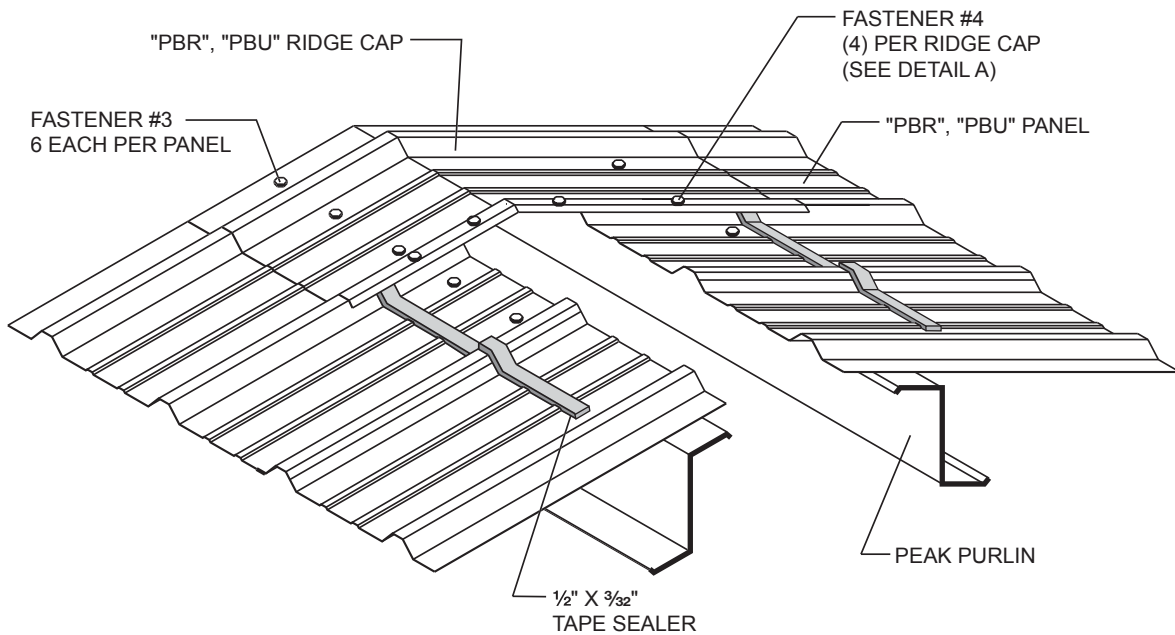
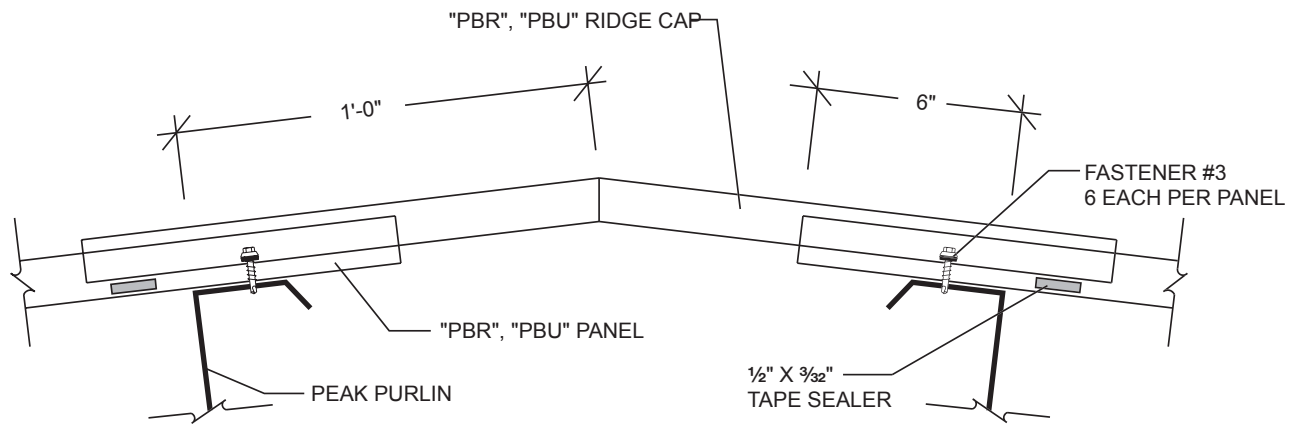
**Endlap**

1. Stack 2 continuous layers of 1/2" x 3/32" tape sealer on top of each other and must be installed between weather infiltration point and fastener.
2. Install Fastener #3 (12-14 X 1 1/4" Long Life driller) on each side of major ribs of panel (two fasteners per foot).
3. Fastener #17A (12-14 X 1 1/4" self-driller) are available as an alternate when long life fasteners are not desired.

# PRODUCT INFORMATION

# "PBR" & "PBU" PANELS

## TYPICAL DETAILS Ridge



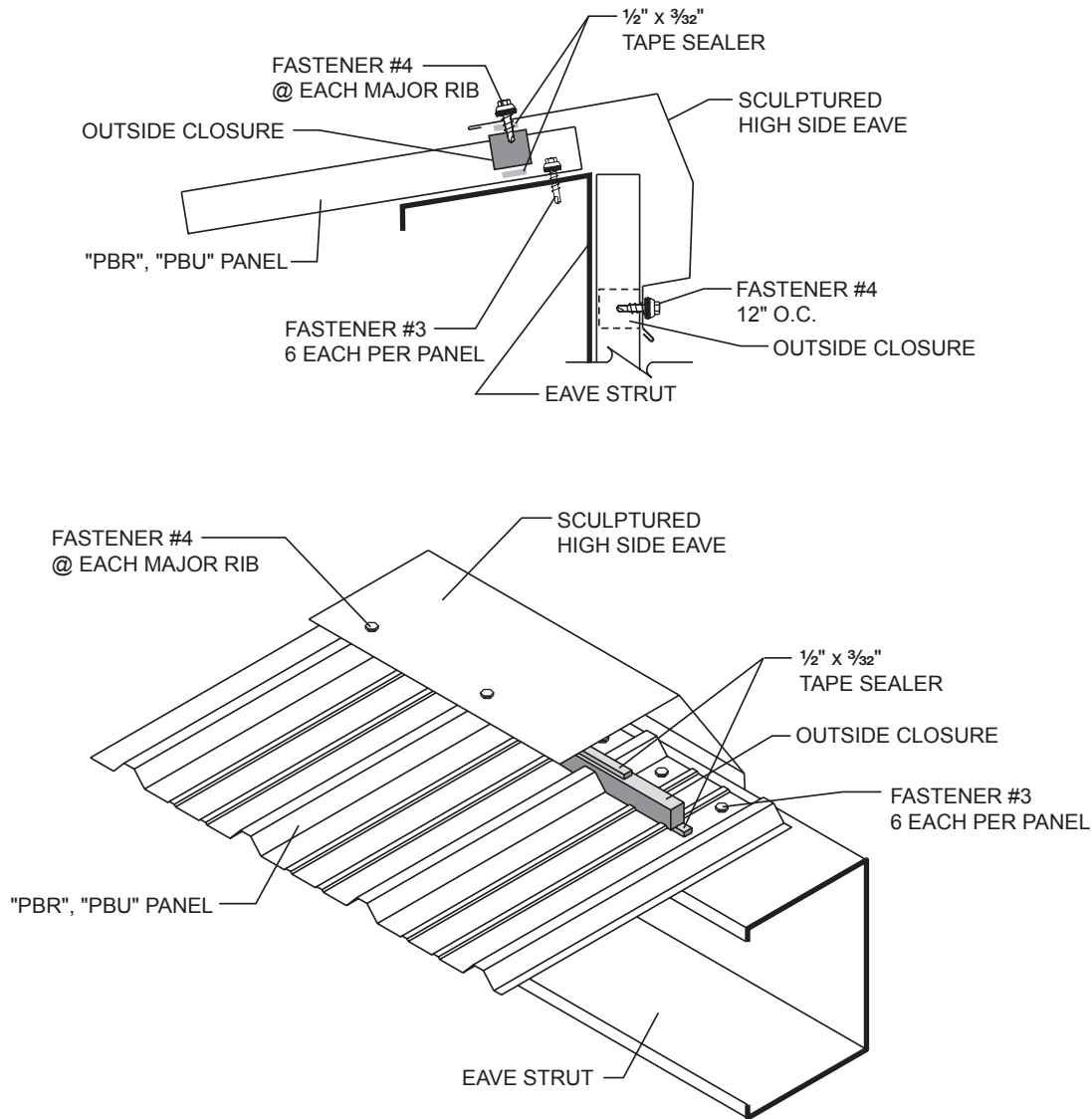
**NOTES:**

1. When ordering ridge caps, specify roof slope. Refer to ABC price pages for maximum slope for each ridge cap.
2. Install 1/2" X 3/32" tape sealer across full width of ridge cap on both sides. Tape sealer must be installed between weather infiltration point and fasteners.
3. Install 1/2" X 3/32" tape sealer to the sidelap of the ridge cap that will lap onto adjacent ridge cap. Tape sealer must be installed between weather infiltration point and fasteners.
4. Install Fastener #3 (12-14 X 1 1/4" Long Life driller) on both sides of major ribs (two per foot).
5. Install four Fastener #4 (1/4"-14 X 7/8" Long Life Lap Tek) in each ridge cap sidelap. Place (1) one Lap Tek in high rib on each side of the ridge cap centerline and one in line with purlin fastener on each side of ridge line.

# "PBR" & "PBU" PANELS

# PRODUCT INFORMATION

## TYPICAL DETAILS High Side Eave



**NOTES:**

1. Install outside closure, with 1/2" X 3/32" tape sealer top and bottom, across width of "PBR" & "PBU" panels.
2. Install Sculptured High Side Eave to "PBR" & "PBU" panels at each major rib with Fastener #4 (1/4"-14 X 7/8" Long Life Lap Tek). Sculptured high side eave trim should overhang outside closures 1/2" - 1".
3. Attach front face of sculptured high side eave trim to wall with fasteners or cleat as required for wall substrate.
4. Trim laps should be approximately 3" with sufficient pop rivets to hold lap together. Apply bead of urethane sealant between trim at 3" lap.

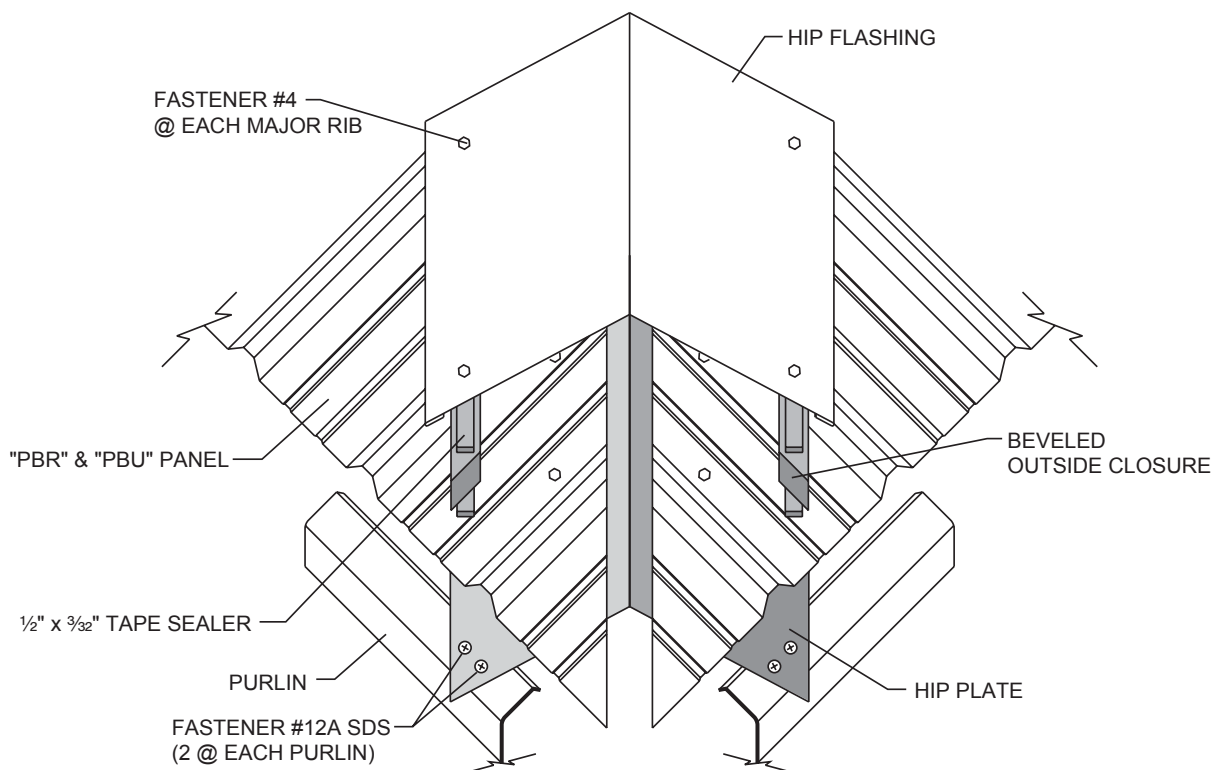
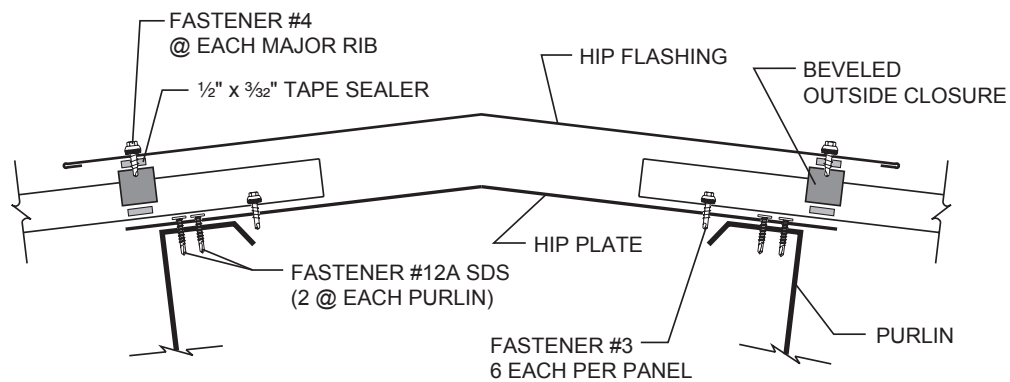


# PRODUCT INFORMATION

# "PBR" & "PBU" PANELS

## TYPICAL DETAILS

### Hip



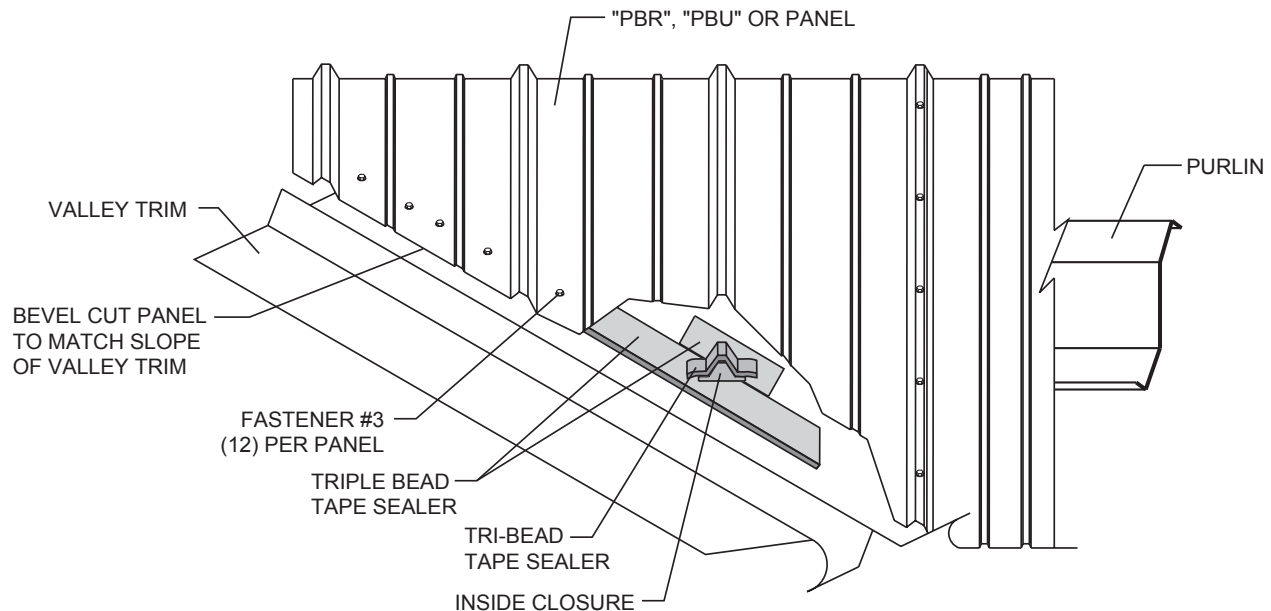
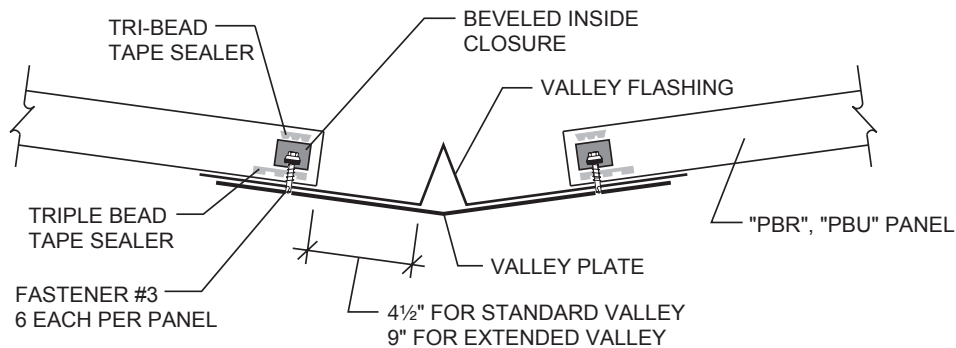
#### NOTES:

1. Bevel cut and install "PBR" & "PBU" panels to follow bevel of hip.
2. Install beveled outside closures to panels, with 1/2" x 3/32" tape sealer top and bottom, following bevel of hip. Beveled closures must be special ordered and require a two week lead time.
3. Install hip flashing to panel at each major rib with Fastener #4 (1/4"-14 X 7/8" Long Life Lap Tek). Hip flashing should overlap outside closures 1/2"-1".
4. Trim laps should overlap approximately 3" with a bead of urethane sealant in between. Install a sufficient amount of pop rivets to hold lap together.

# "PBR" & "PBU" PANELS

# PRODUCT INFORMATION

## TYPICAL DETAILS Valley



### NOTES:

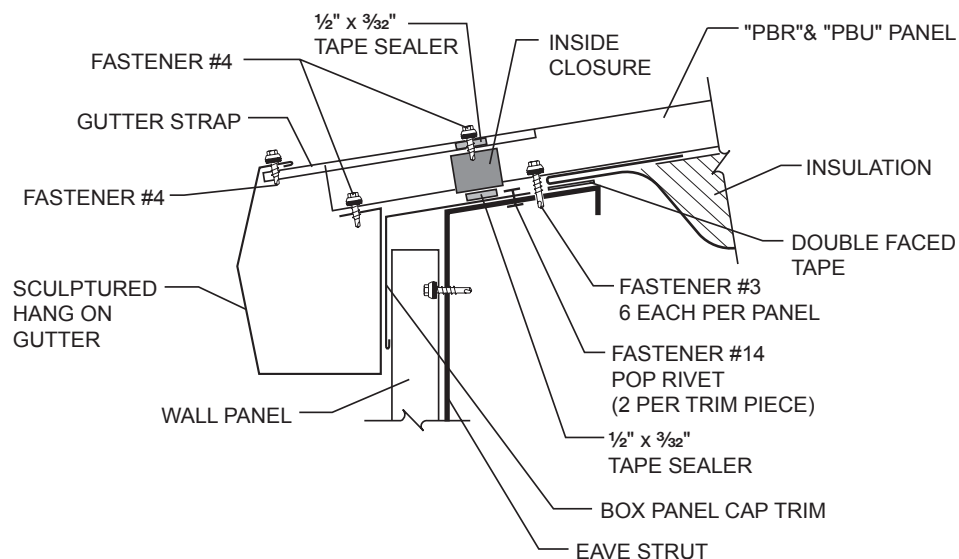
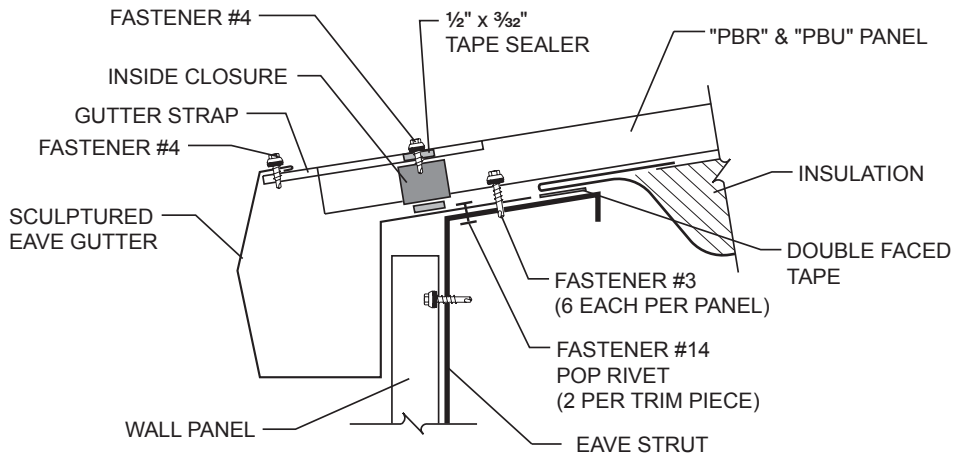
1. For valleys 30' or less in length, use standard valley trim. Valleys over 30' in length require extended valley trim.
2. Apply triple bead tape sealer to valley trim parallel to the slope of the valley. Lower edge of tape sealer should be 4½" from center of valley for standard valleys and 9" from the center of the valley for extended valleys.
3. Install high rib section of inside closure that has been field cut from standard 3'-0" straight closure. Place the cut closure square with the rib of the panel. Install Tri-Bead tape sealer to top of inside closure prior to laying panel edge down on top of the cut closure. The triple bead tape with proper fastener sequence will seal the minor ribs of the panel that are between the major ribs.
4. Bevel cut "PBR" & "PBU" panels to fit slope of valley and install to valley with Fastener #3 (12-14 X 1¼" Long Life driller) at 4" on center. Fasteners must be installed through the closures and into triple bead tape sealer.
5. Trim laps should overlap approximately 6" with a bead of urethane sealant in between. Do not rivet valley laps together. If laps gap open, install Fastener #4 (¼"-14 X 7/8" Long Life Lap Tek) into each side of water diverter while holding lap tightly together.

# PRODUCT INFORMATION

# "PBR" & "PBU" PANELS

## TYPICAL DETAILS

### Gutter



#### NOTES:

##### Eave Gutter

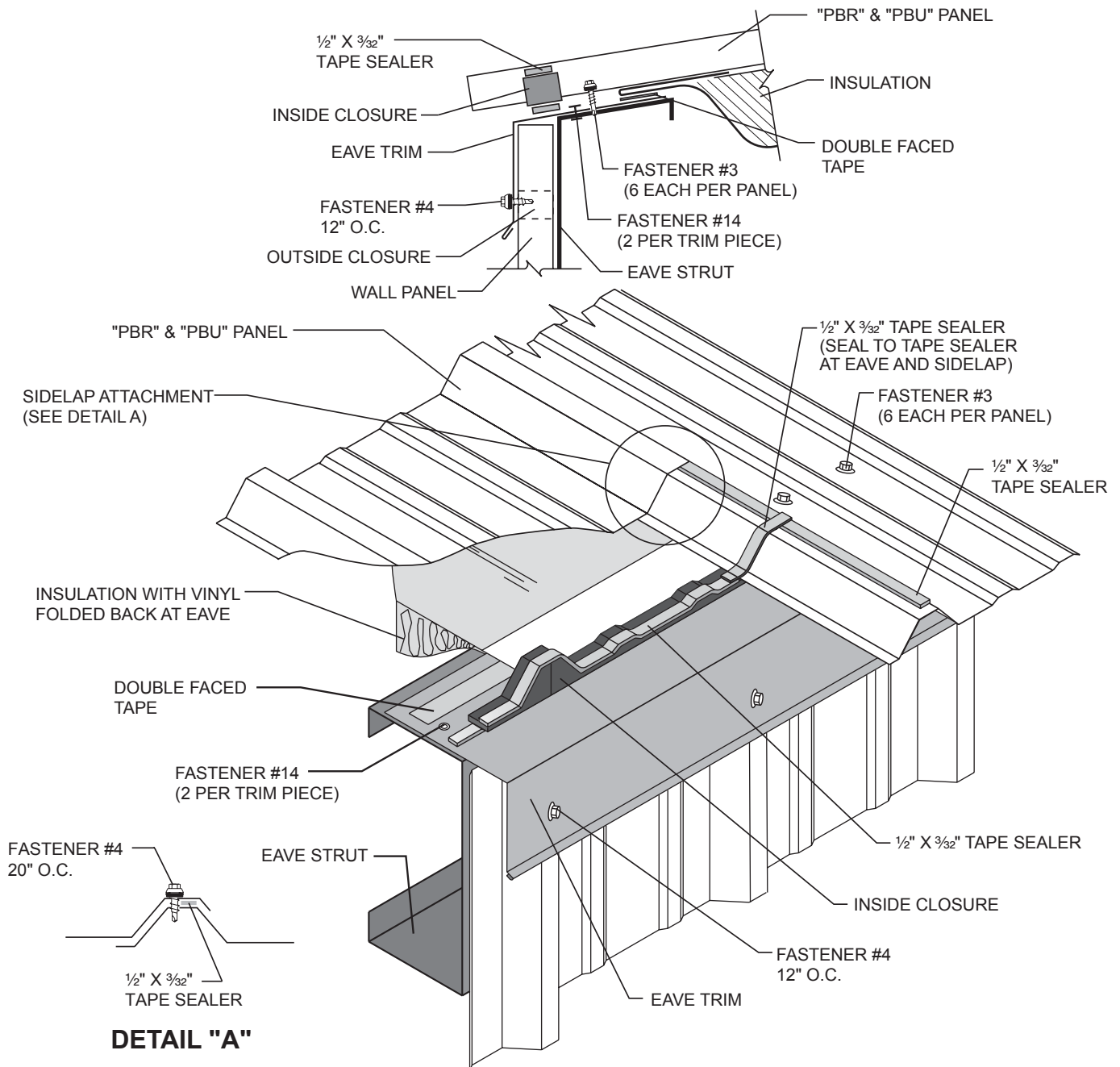
1. Attach gutter to eave strut with three Fastener #14 pop rivets per section.
2. Install inside closures to top leg of gutter with  $\frac{1}{2}$ " x  $\frac{3}{32}$ " tape sealer top and bottom.
3. Install "PBR" & "PBU" panel with Fastener #3 (12-14 X  $\frac{1}{4}$ " Long Life drill) on each side of major ribs (two fasteners per foot). Fasteners must be installed up slope from inside closures.
4. Gutter laps should be approximately 3" with a bead of urethane sealant in between. Install a sufficient amount of pop rivets to hold lap together.
5. Install gutter straps 3'-0" on center with Fastener #4 ( $\frac{1}{4}$ "-14 X  $\frac{7}{8}$ " Long Life Lap Tek) fasteners at each end.

##### Hang-on Gutter

1. Attach Box Panel Cap Trim to top of eave strut with pop rivet #14 (three per 10'-0" section).
2. Install inside closure on top of Box Panel Cap Trim with  $\frac{1}{2}$ " x  $\frac{3}{32}$ " tape sealer top and bottom of closure.
3. Install "PBR" & "PBU" panels with Fastener #3 (12-14 X  $\frac{1}{4}$ " Long Life drill) on each side of the major ribs (two fasteners per foot). Fasteners must be installed up slope from inside closures.
4. Attach gutter to roof panels with Fastener #4 ( $\frac{1}{4}$ "-14 X  $\frac{7}{8}$ " Long Life Lap Tek) at each end.
5. Gutter laps should be approximately 3" with a bead of urethane sealant in between. Install a sufficient amount of Fastener #14 (pop rivets) to hold lap together.
6. Install gutter straps 3'-0" on center with Fastener #4 ( $\frac{1}{4}$ "-14 X  $\frac{7}{8}$ " Long Life Lap Tek) at each end.

# "PBR" & "PBU" PANELS PRODUCT INFORMATION

## TYPICAL DETAILS Eave Trim



**NOTES:**

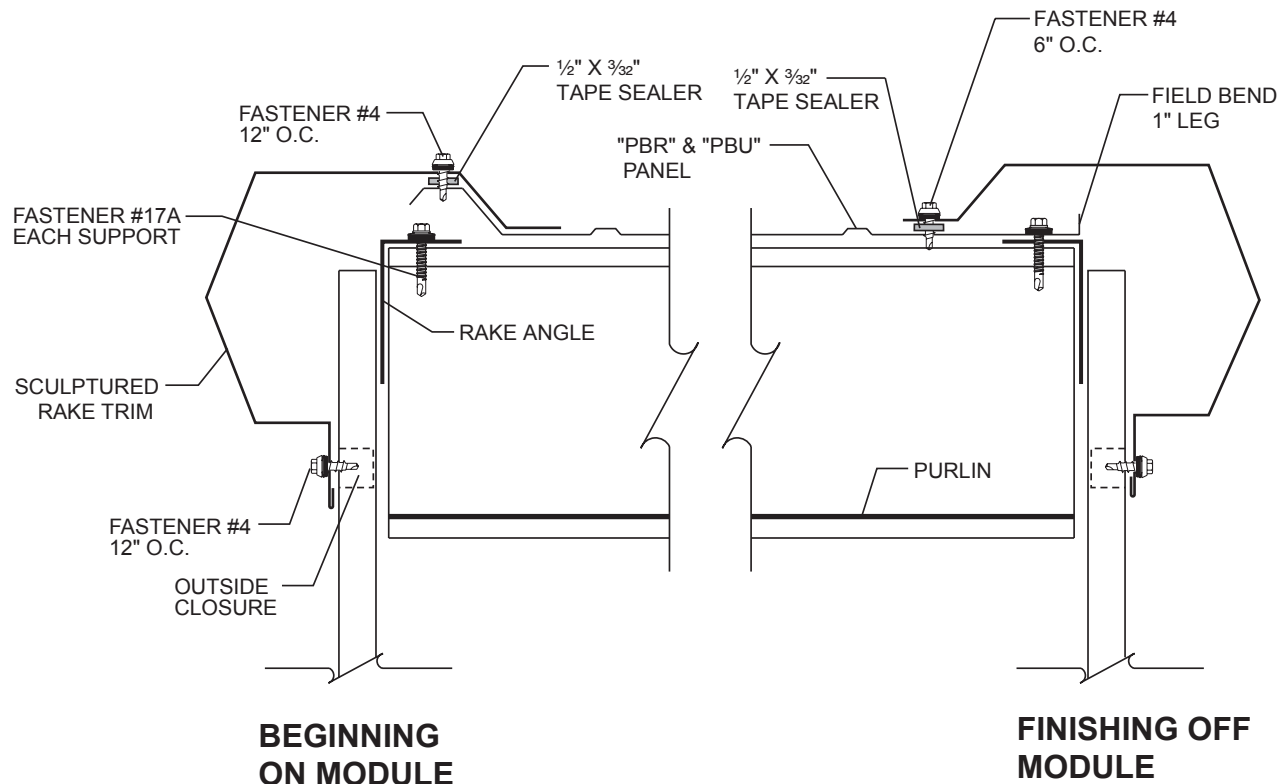
1. Install eave trim to structure with three pop rivets per section.
2. Install inside closures along top leg of eave trim with 1/2" x 3/32" tape sealer top and bottom.
3. Install "PBR" & "PBU" panel with Fastener #3 (12-14 X 1/4" Long Life driller) on each side of major ribs (2 fasteners per foot) allowing panel to overhang 1 1/2" plus wall thickness. Fasteners must be installed up slope from inside closures.
4. Attach front face of eave trim to wall with fasteners or cleat as required for wall substrate.
5. Trim laps should overlap approximately 3" with a bead of urethane sealant in between. Install a sufficient amount of Fastener #14 pop rivets to hold lap together.

# PRODUCT INFORMATION

# "PBR" & "PBU" PANELS

## TYPICAL DETAILS

### Rake



#### NOTES:

##### Beginning on Module

1. Install  $\frac{1}{2}'' \times \frac{3}{32}''$  tape sealer to top of "PBR" & "PBU" panel rib.
2. Install rake trim to "PBR" & "PBU" panel rib with Fastener #4 ( $\frac{1}{4}''$ -14 X  $\frac{7}{8}''$  Long Life Lap Tek) at 1'-0" on center.
3. Attach front face of rake trim to wall with fasteners or cleat as required for wall substrate.
4. Trim laps should overlap approximately 3" with a bead of urethane sealant in between. Install a sufficient amount of Fastener #14 pop rivets to hold lap together.

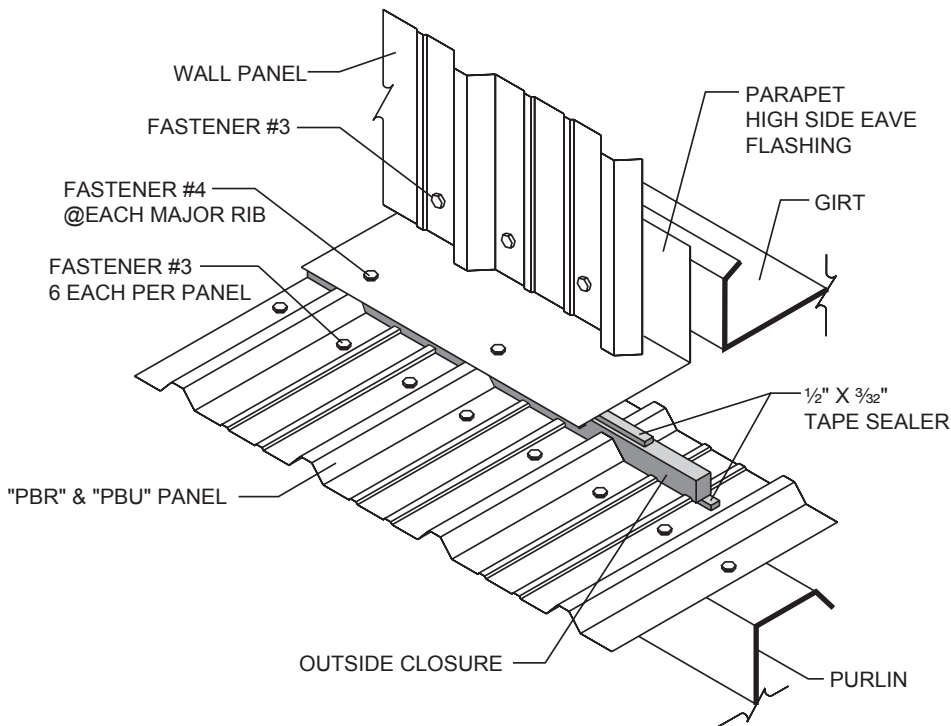
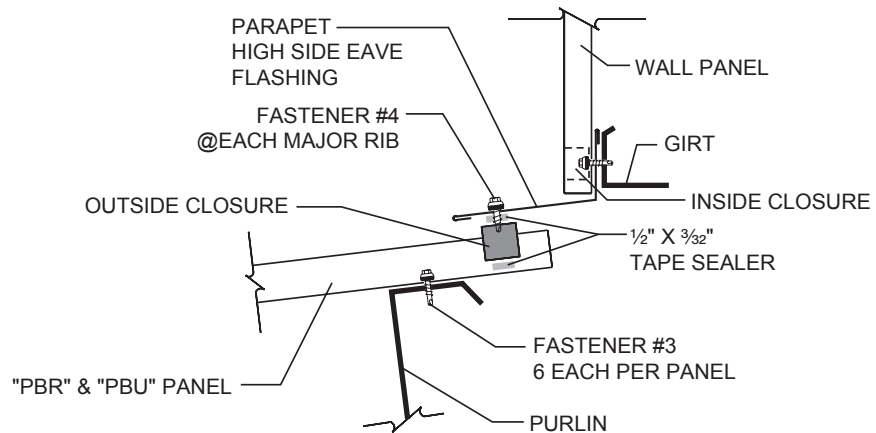
##### Finishing off Module

1. Cut and field bend a 1" leg on "PBR" & "PBU" panel.
2. Install  $\frac{1}{2}'' \times \frac{3}{32}''$  tape sealer to top of "PBR" & "PBU" panel.
3. Install rake trim to "PBR" & "PBU" panel with Fastener #4 ( $\frac{1}{4}''$ -14 X  $\frac{7}{8}''$  Long Life Lap Tek) at 6" on center.
4. Attach front face of rake trim to wall with fasteners or cleat as required for wall substrate.
5. Trim laps should overlap approximately 3" with a bead of urethane sealant in between. Install a sufficient amount of pop rivets to hold lap together.

# "PBR" & "PBU" PANELS

# PRODUCT INFORMATION

## TYPICAL DETAILS Parapet High Side Eave



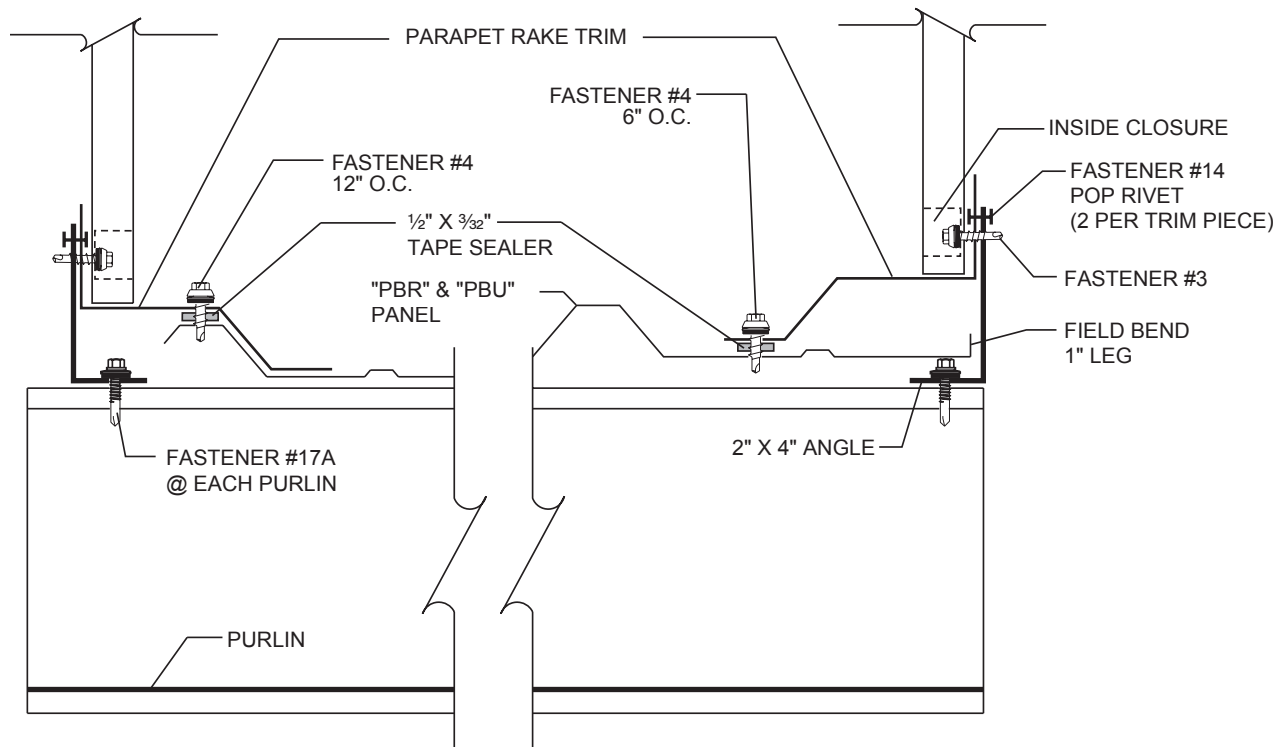
**NOTES:**

1. Install outside closure, with 1/2" x 3/32" tape sealer top and bottom, across width of "PBR" & "PBU" panels.
2. Install parapet high side trim to "PBR" & "PBU" panels at each major rib with Fastener #4 (1/4"-14 X 7/8" Long Life Lap Tek). Trim should overhang outside closures 1/2" - 1".
3. Attach top leg of parapet high side trim to wall with fasteners as required for wall substrate.
4. Trim laps should overlap approximately 3" with a bead of urethane sealant in between. Install a sufficient amount of pop rivets to hold lap together.

# PRODUCT INFORMATION

# "PBR" & "PBU" PANELS

## TYPICAL DETAILS Parapet Rake



### NOTES:

#### Beginning on Module

1. Install  $\frac{1}{2}$ " x  $\frac{3}{32}$ " tape sealer to top of "PBR" & "PBU" panel rib.
2. Install parapet rake trim to "PBR" "PBU" panel rib with Fastener #4 ( $\frac{1}{4}$ "-14 X  $\frac{7}{8}$ " Long Life Lap Tek) at 1'-0" on center.
3. Attach top leg of parapet rake trim to 2" X 4" angle with Fastener #14 pop rivet. Elevate horizontal leg of parapet trim slightly, to provide for positive drainage of water.
4. Trim laps should overlap approximately 3" with a bead of urethane sealant in between. Install a sufficient amount of Fastener #14 pop rivets to hold lap together.

#### Finishing off Module

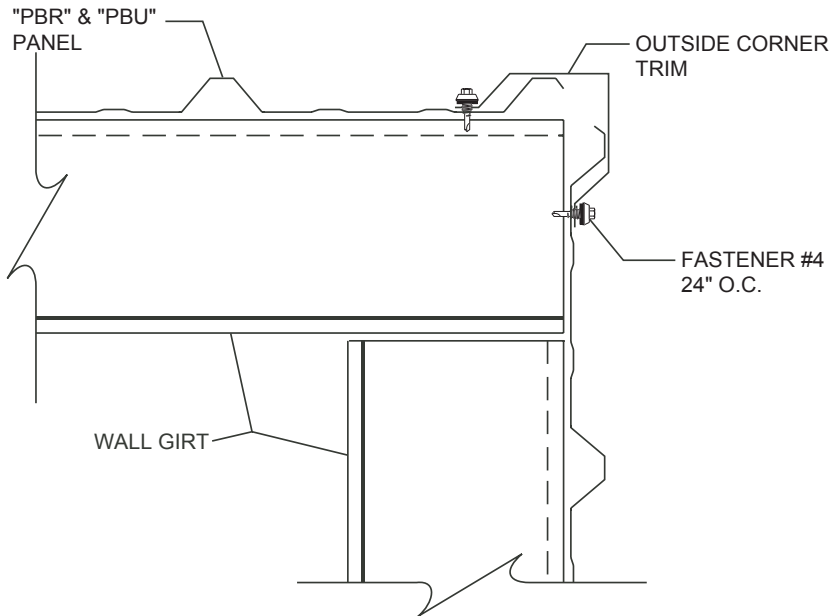
1. Cut and bend a 1" leg on "PBR" & "PBU" panel.
2. Install  $\frac{1}{2}$ " x  $\frac{3}{32}$ " tape sealer to top of "PBR" & "PBU" panel.
3. Install parapet rake trim to "PBR" & "PBU" panel with Fastener #4 ( $\frac{1}{4}$ "-14 X  $\frac{7}{8}$ " Long Life Lap Tek) at 6" on center.
4. Attach top leg of parapet rake trim to 2" X 4" angle with pop rivets. Elevate horizontal leg of parapet trim slightly, to provide for positive drainage of water.
5. Trim laps should overlap approximately 3" with a bead of urethane sealant in between. Install a sufficient amount of Fastener #14 pop rivets to hold lap together.

**"PBR" & "PBU" PANELS**

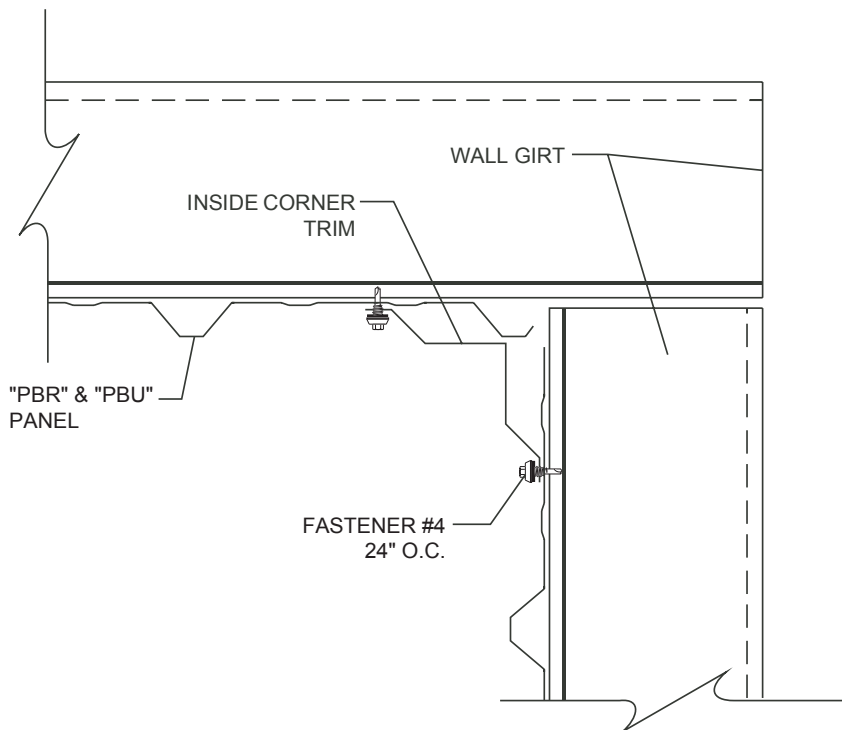
**PRODUCT INFORMATION**

**TYPICAL DETAILS**

**Corner**



**OUTSIDE CORNER DETAIL**



**INSIDE CORNER DETAIL**

**NOTES:**

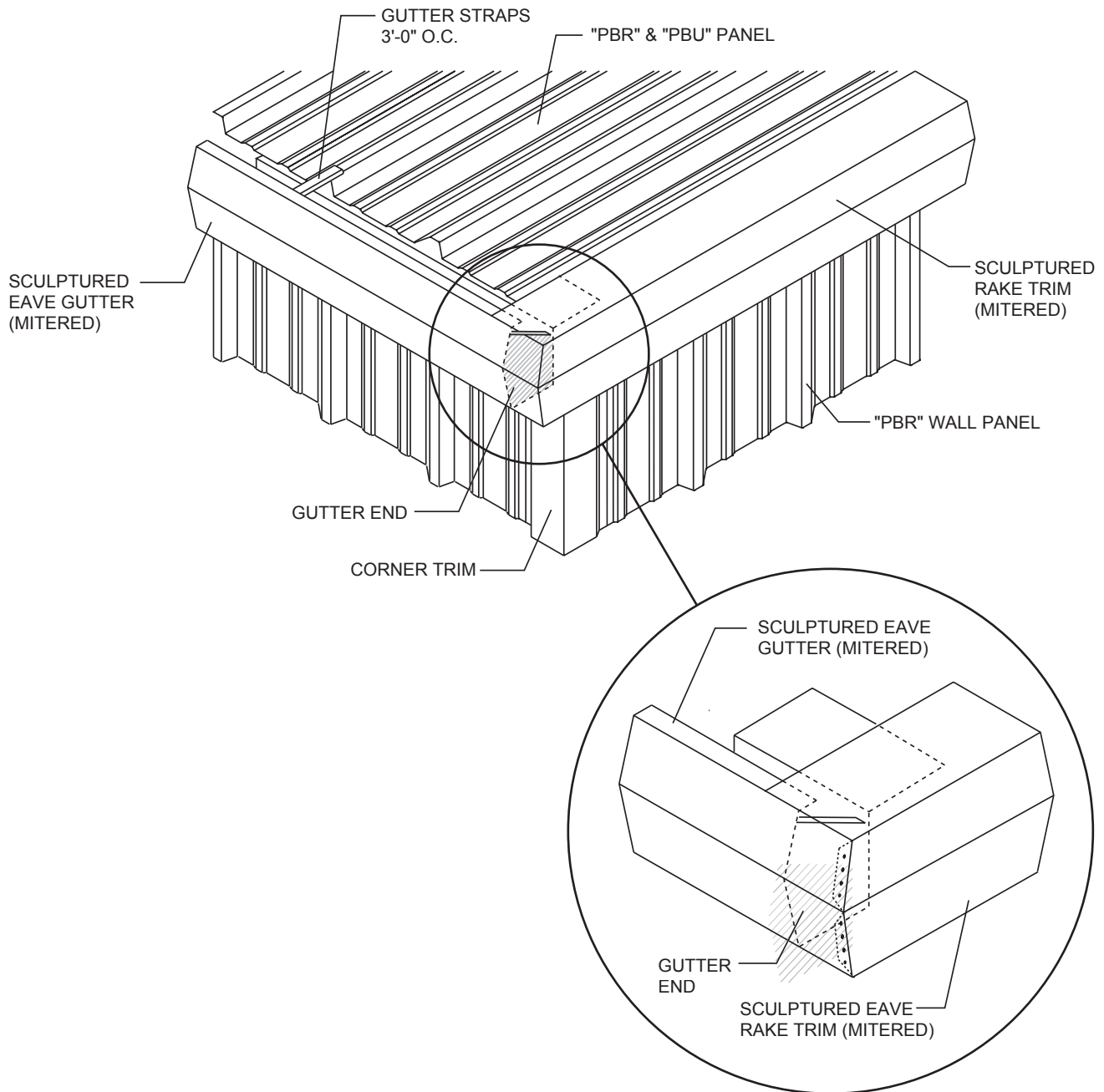
1. Install corner trim with Fastener #4 (1/4 - 14 X 7/8" Long Life Lap Tek) fastener 2'-0" O.C.



# PRODUCT INFORMATION

# "PBR" & "PBU" PANELS

## TYPICAL DETAILS Corner Box



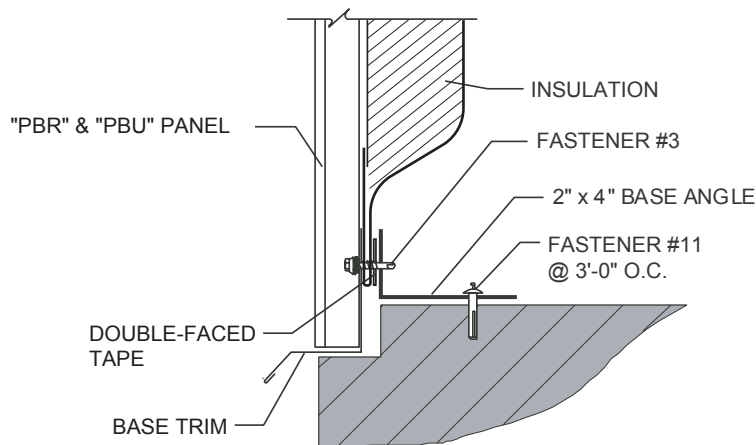
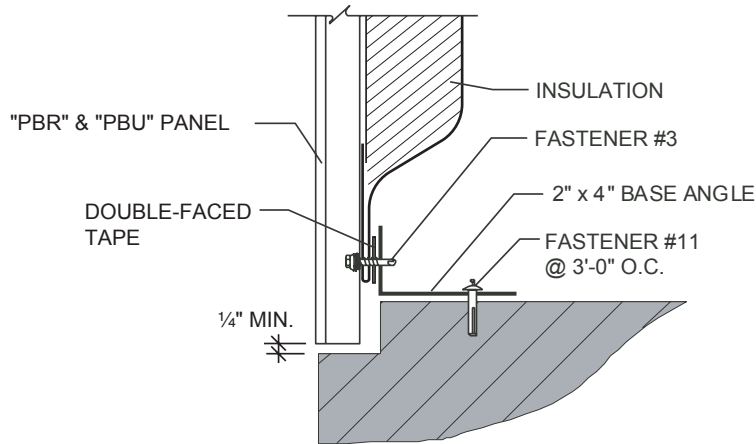
**NOTES:**

1. Gutter and rake trim must be ordered with a left and right mitered end. To determine left or right, stand on ground and look toward eave. **Roof slope must also be specified.**

# "PBR" & "PBU" PANELS PRODUCT INFORMATION

## TYPICAL DETAILS

### Base



#### NOTES:

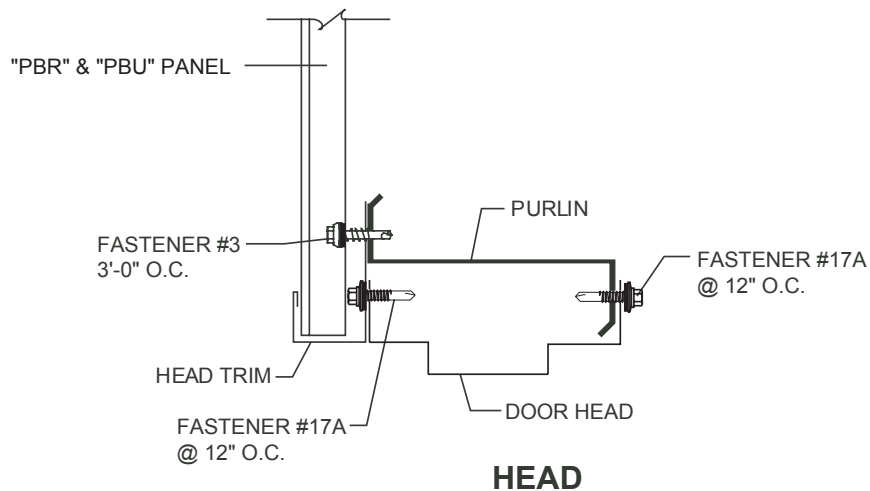
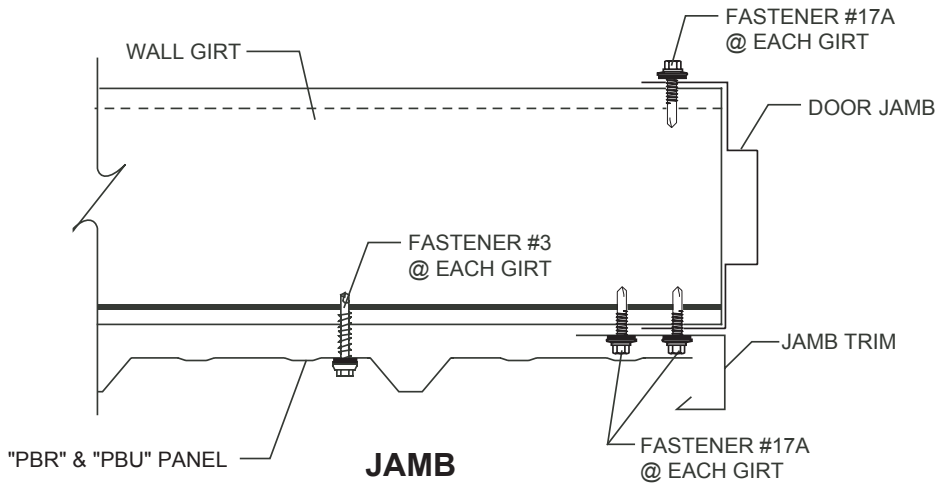
1. Wall with vinyl insulation, pull back fiberglass approximately 4" pull over end and staple. Apply double face tape to base angle and stick insulation to it before applying panel and fastening with Fastener #3 (1/4 - 14 x 1 1/4" Long Life Driller), six each per panel.
2. Should base trim be desired, temporarily attach trim to base angle with two Fastener #14 pop rivets until panels are installed.

# PRODUCT INFORMATION

# "PBR" & "PBU" PANELS

## TYPICAL DETAILS

### Head / Jamb



**NOTES:**

1. Install Jamb and Head Trim with pop rivets as required to support flashing during panel installation.

# “PBR” & “PBU” PANELS

# PRODUCT INFORMATION

## INSTALLATION GUIDELINES

### I. Pre-Order

- A. Prior to ordering panels, all dimensions should be confirmed by field measurement.

### II. Job Site Storage and Handling

- A. Check the shipment against the shipping list.
- B. Damaged material must be noted on bill of lading.
- C. Panels should be handled carefully. A spreader bar of appropriate length is recommended for hoisting.
- D. Check to see that moisture has not formed inside the bundles during shipment. If moisture is present, panels should be wiped dry, then restacked and loosely covered so that air can circulate between the panels.

### III. Application Checklist

- A. Check substructure for proper alignment and uniformity to avoid panel distortion.
- B. Periodic check of panel alignment is crucial to proper panel installation.
- C. For proper appearance, ribs should line up at hips, valleys and ridges.
- D. Panels should be cut on ground to minimize cut filings on roof. Keep panels clean during installation. Do not allow panels to come into contact with water runoff from lead, copper or graphite.



PROUDLY DISTRIBUTED BY:

## MICHIANA BUILDING SUPPLIES

[www.PoleBarnsOnline.com](http://www.PoleBarnsOnline.com)

269 683 2723

BIG RAPIDS, MI

JACKSON, MS

LUBBOCK, TX

NICHOLASVILLE, KY

OKLAHOMA CITY, OK

OMAHA, NE

OSKALOOSA, IA

PHOENIX, AZ

ROME, NY

SALT LAKE CITY, UT



Rugged Rib®, Regal Rib®, Imperial Rib®, Ameri-Drain®, Monarch Rib®, 7/8" Wide Rib®, Perma Clad®, SL-16®, and Royal Lock® are registered trademarks of American Building Components. Galvalume® and Galvalume Plus® are registered trademarks of BIEC International.